

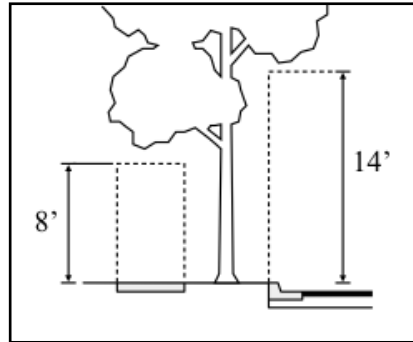
Kaysville City Parkway and Street Tree Information Sheet



Who maintains parkways?

Property owners and/or occupants are responsible for maintaining their section of abutting parkway. Proper maintenance includes trimming and possible removal of trees and other plants in the parkway and keeping the sidewalk free of litter and obstructions.

Streets require 14 feet of vertical clearance from the back of the curb/edge of the road, and sidewalks require 8 feet of vertical clearance above the width of the sidewalk.



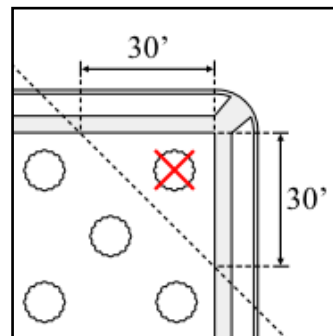
For residential lots, nothing which may obstruct the view of drivers is permitted between the sidewalk and curb, or 8 feet from the edge of the road where no sidewalk exists. Trees pruned high enough to see past are an exception.

Removing trees

Kaysville City may determine that a tree is diseased, dangerous, or undesirable generally due to damage from roots to improvements and may cause the adjacent property owner to have the tree removed. You may contact Kaysville City for assistance in determining whether or not a tree should be removed.

Clear view area

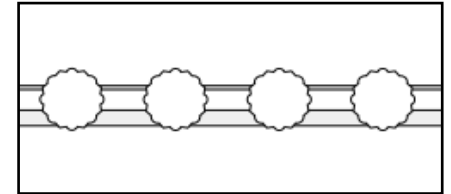
Corner lots in all zones must maintain a clear view area in the triangle formed by the intersecting streets, measured 30 feet back from the the corner of the property lines. New trees are not allowed in this area.



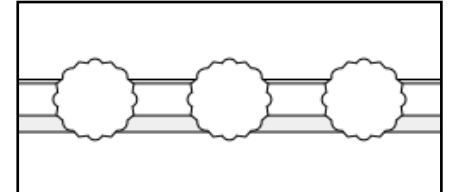
Planting trees in the parkway

Tree species should be planted according to parkway width, as categorized in the attached table. No trees are permitted in parkways less than three feet wide.

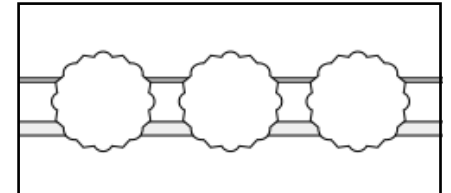
3-5 feet: SMALL trees



6-8 feet: MEDIUM trees



9+ feet: LARGE trees



DROUGHT RESISTANCE	SMALL (3-5' parkway)	MEDIUM (6-8' parkway)	LARGE (9+' parkway)
LOW	Maple, Paperbark		
MEDIUM	Cherry, Japanese Flowering Crabapple, Snowdrift Crabapple, Spring Snow Dogwood, Corneliancherry Hawthorn, English Maple, Rocky Mountain	Catalpa, Southern Beech, Tricolor Hornbeam, American Hornbeam, European Horsechestnut, Red Linden, Littleleaf Maple, Hedge Maple, Sugar Yellowwood	Horsechestnut Linden, Silver Oak, English Tulip Tree
HIGH	Hackberry, Netleaf Hawthorn, Lavallo Maple, Amur Maple, Tatarian Oak, Gambel Redbud, Eastern Serviceberry, Utah Zelkova, Wireless	Elm, Frontier Ginkgo Goldenrain Mulberry, White	Elm, Accolade Hackberry Honeylocust Kentucky Coffee Maple, Sycamore Oak, Bur Oak, Northern Pin Oak, Swamp White Zelkova, Green Vase Zelkova, Village Green
Bold = salt tolerance		Reference: https://treebrowser.org/	